

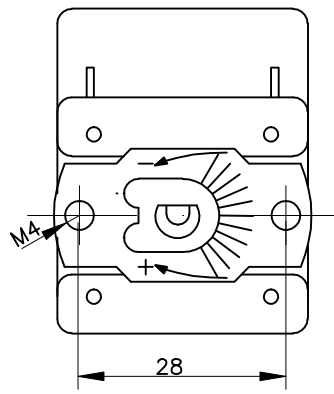
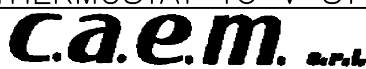



APPROVALS 
 CONNECTION TABS 1/4"
 MIN CAPILLARY BENDING RADIUS 5 MM
 LAY OUT TEMPERATURE IN LIQUID BATH
 COPPER CAPILLARY AND BULB
 TEMPERATURE RANGE : 4°C-40°C ± 2°C
 DIFFERENTIAL : 1,5°C ± 1°C
 INSULATION 
 DELIVER WITH KNOB Ø40



THERMOSTAT TU V ST 4°C-40°C		ITAL - RUSSIA	
 Via Rivera 106-108 10040 ALMESE (TO) ITALY		SCALA :	LP5232
		DATA : 28-05-2012	
		DIS. TACCA GIANLUCA	MATERIALE
		VISTO	FINITURA
SOSTITUISCE IL:			